

F Series Fig 1 & Fig 3 Outdoor Illustrations

Unit in sign.
unit rotates with sign.
unit at center of sign
or above.
Unit size depends on weight
of sign

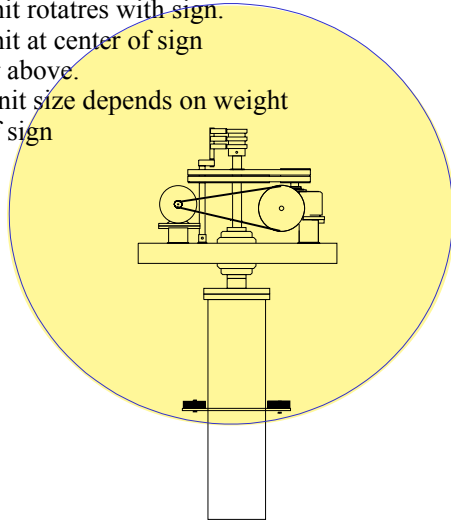
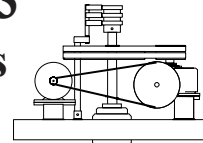


Fig. 1

Accessories:
Gusseted Companion Plate
or Plain Companion Plate
If unit is exposed to weather,
Louvered Cover Plates are necessary.

Sign secures rigidly
to pipe



Unit above sign.
Unit does not rotate.
Weight may be taken at
bottom if necessary.
Unit size depends on
weight of sign.
THIS IS A HANGING SIGN!
Special features in the
unit are provided to make
this a safe installation.
When ordering, specify
Fig. number.

Stub Shaft

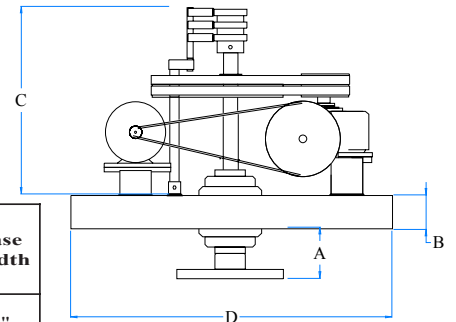
Bearing &
Mounting Plate

Fig. 3

Accessories:
Companion Plate.
Bearing and Mounting Plate
If unit is exposed to weather,
Louvered Cover Plates are necessary.

Dimensions shown are for rotators without frame.
For rotators with frame consult factory.
"C" Dimension shown is for rotator with 3-ring collector. Add
3/4" to "C" dimension for each additional collector ring.

Model	Max Sign Area	Max Sign Wgt	Max Sign Length	A	B	C	D	Base Width
FS	40 SQ FT	350 LBS	8 FT	4 1/8"	2 1/4"	13 5/8"	24"	8"
FM	75 SQ FT	750 LBS	12 FT	4 1/2"	2 1/4"	13 5/8"	24"	8"
FL	150 SQ FT	1,000 LBS	15 FT	4 5/8"	2 3/8"	14 7/8"	30"	9"
FG-200	150 SQ FT	1,500 LBS	15 FT	5"	2 3/8"	14 7/8"	30"	9"
FG-243	200 SQ FT	2,000 LBS	20 FT	5 1/2"	2 5/8"	16 3/8"	30"	10"
FG-293	200 SQ FT	2,500 LBS	20 FT	6 3/4"	2 5/8"	16 3/8"	30"	10"



Weight and length of sign are the important considerations in these two illustrations

Larsen Manufacturing Company

Tel: 866-699-5918
Fax: 801-876-2115
email: sales@semcomotion.com

