

# T63

Indoor



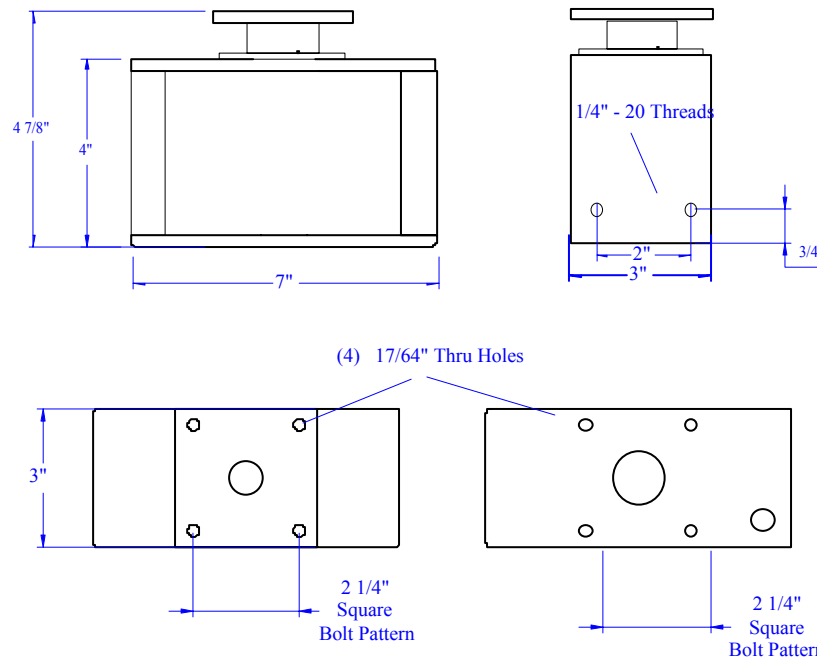
## Standard Features

- ◆ Welded Steel Frame
- ◆ Chain Drive
- ◆ Solid Construction
- ◆ Machined Surfaces
- ◆ Strong, Reliable Bearings
- ◆ High Torque Motor

The T63 is rated for loads up to 100 lbs. It uses a larger, and stonger gearmotor than the T62. The T63 is very quiet and has very high turning torque. Like the T62 it is machined with a snap ring on the main shaft and can work in any position including hanging applications. See optional features below for T63 accessories.

### Optional Features:

- Rotation speeds from 1/2 to 6 RPM (2 RPM Standard Speed)
- 15 A per ring collector/brush assembly, 2 to 5 rings
- Companion matching plate
- Louver cover plates
- Eyebolts
- Custom machining and OEM modifications



## Larsen Manufacturing Company

Tel: 866-699-5918

Fax: 801-876-2115

email: sales@semcomotion.com



[www.semcomotion.com](http://www.semcomotion.com)